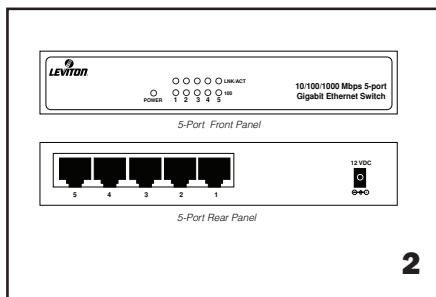
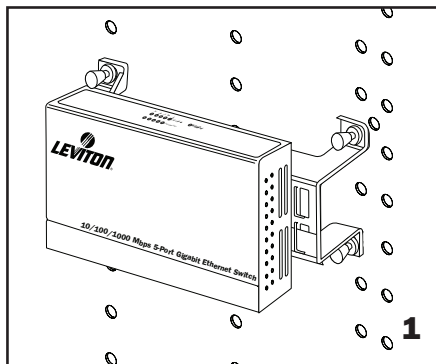


Instructions for Use

10/100/1000 Mbps 5-Port Gigabit Ethernet Switch



10/100/1000 Mbps 5-Port Gigabit Ethernet Switch

DESCRIPTION

The 10/100/1000 Mbps 5-Port Gigabit Ethernet Switch is used to create a small, Local Area Network (LAN). Patch cords connected from the Switch to structured wiring system connects network data devices throughout the home.

INSTALLATION

To install the module into the Leviton Structured Media™ Center (SMC), simply align the mounting pins with the grid holes in the back of the SMC. With the mounting pin plungers in the “out” position, press the unit into the grid in the desired location. Secure by pushing the plungers in.

(Figure 1)

Note: To remove the bracket from the switch, loosen the screws underneath the Switch and bracket combination, then slide the units apart.

Front Panel (Figure 2)

A. Power: Illuminates green when powered up.

B. LNK/ACT LED: LINK illuminates solid green when the port is connected to an ethernet or fast ethernet connection. Activity illuminates blinking green when data is being transmitted or received.

C. 10/100/1000 LED: Illuminates green when a 10 Mbps, 100 Mbps or 1000 Mbps connection is made.

Rear Panel (Figure 2)

A. RJ-45 Ports: Switch is equipped with 5 RJ-45 ports, designed to make 10/100/1000 Ethernet connections.

B. Auto-detect Uplink: Use any port to cascade additional switches, hubs or routers.

C. Power Supply Port: Connect the provided 12 VDC Power Supply to the Switch.

MAKING NETWORK CONNECTIONS

10/100/1000 Mbps is a specification for Ethernet networks based on twisted pair cabling. The maximum length of a segment for 10/100/1000 Mbps networks is 100 meters. The cable and connectors are commonly referred to as a Category 5e or greater patch cord and RJ-45 connectors, respectively.

To establish 10/100/1000 Mbps connections, you will need the following equipment:

- Twisted pair Category 5e or greater patch cord for switch-to-NIC (network interface card) connections.
- Twisted pair Category 5e or greater patch cord for switch-to-switch connections, usually referred to as “switch cascading”.

Note: An 10/100/1000 Mbps network card is also required for Gigabit operation.

Note: In order to achieve 1000 Mbps Speed, the connected devices must support 1000 Mbps networking speeds.

Establishing Connections

1. Ensure that both the Switch and the soon-to-be connected device are in the POWER OFF mode.
2. Plug one end of a patch cord into an available 10/100/1000 Mbps Switch port. Connect that cord's other end to the intended port in a Category 5e or greater Voice & Data Module which is already wired to the wall location.

3. Connect a patch cord from the NIC to the soon-to-be connected device at the wall location to complete the link.

Uplinking (Cascading) to Other Switches and Hubs

Switches, hubs and similar network devices are uplinked to the switch with straight-through Category 5e cabling.

1. Connect a Category 5e cable from the Uplink port on your network device to any port on the Switch.

Note: 1000 Mbps is only supported in Category 5e or greater cables.

FCC STATEMENT

This equipment has been tested and found to comply with the limits for a Class B digital device, pursuant to part 15 of the FCC Rules. These limits are designed to provide reasonable protection against harmful interference in a residential installation. This equipment generates, uses and can radiate radio frequency energy and, if not installed and used in accordance with the instructions, may cause harmful interference to radio communications. However, there is no guarantee that interference will not occur in a particular installation. If this equipment does cause harmful interference to radio or television reception, which can be determined by turning the equipment off and on, the user is encouraged to try to correct the interference by one or more of the following measures:

- Reorient or relocate the receiving antenna.
- Increase the separation between the equipment and receiver.
- Connect the equipment into an outlet on a circuit different from that to which the receiver is connected.
- Consult the dealer or an experienced radio/TV technician for help.

IMPORTANT INSTRUCTIONS

1. Read and understand all instructions. Follow all warnings and instructions marked on the product.
2. Do not use this product near water—e.g., near a tub, wash basin, kitchen sink or laundry tub, in a wet basement, or near a swimming pool.
3. Never push objects of any kind into this product through openings, as they may touch dangerous voltages.
4. SAVE THESE INSTRUCTIONS.

SAFETY INFORMATION

1. Never install communications wiring or components during a lightning storm.
2. Never install communications components in wet locations unless the components are designed specifically for use in wet locations.
3. Never touch uninsulated wires or terminals unless the wiring has been disconnected at the network interface.
4. Use caution when installing or modifying communications wiring or components.
5. To prevent electrical shock, each opening must be filled with a module.

LEVITON ARTWORK SPECIFICATIONS

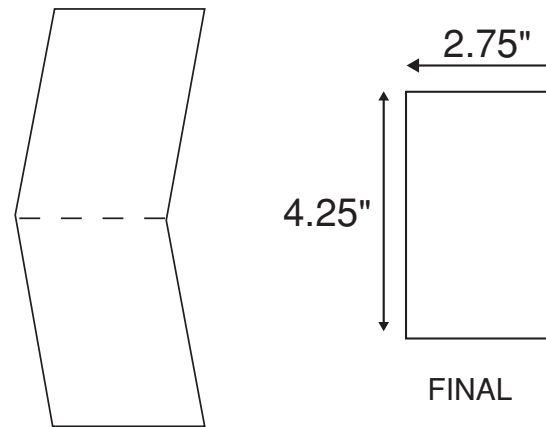
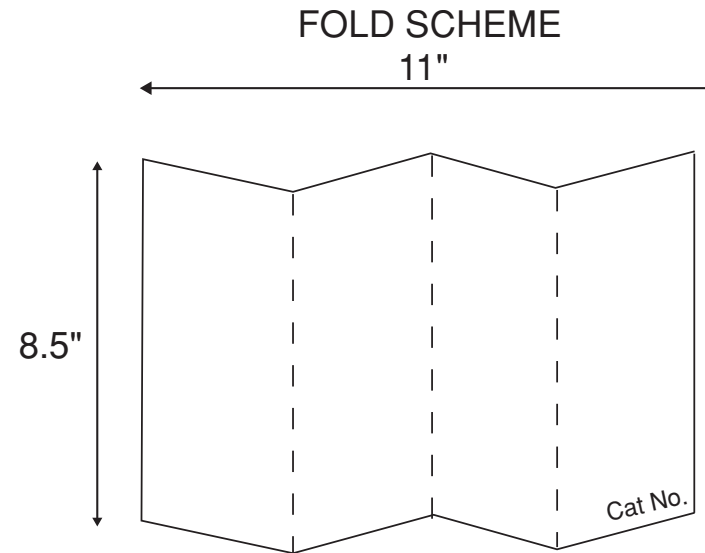
- Artwork No/Rev Level: DI-041-47611-05A
- Color(s): 1 over 1
 1. Black
 2. _____
 3. _____
 4. _____
 5. _____
 6. _____
- Font Families: Helvetica
- Material Type: 50 lb. offset
Gauge: _____
- Coating:
 - Aqueous Gloss
 - Blister Coating (Wax Free Inks)

DOCUMENTATION

- ECO No.: N/A
- Art Revision Description: _____
- Artist: HSZ Date: 03/05/07

The information in this document is the exclusive PROPRIETARY property of LEVITON MANUFACTURING COMPANY, INC. It is disclosed with the understanding that acceptance or review by the recipient constitutes an undertaking by the recipient. (1) to hold this information in strict confidence, and (2) not to disclose, duplicate, copy, modify, or use the information for any purpose other than that for which disclosed.

Copyright © 1997 Leviton Mfg. Co. Inc.
Unpublished, All Rights Reserved



— — — — — Fold Line